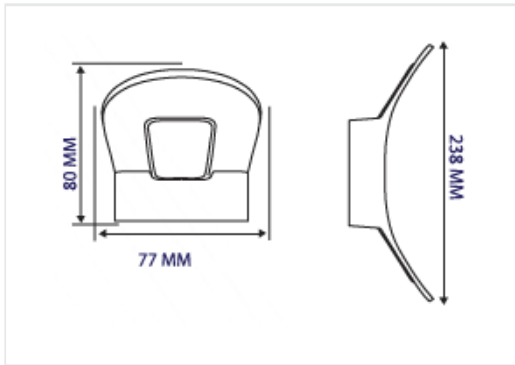


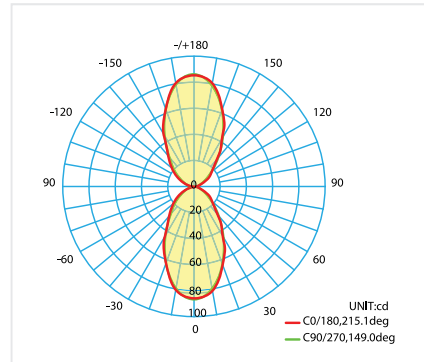
APPLICATION



DIMENSIONS



PHOTOMETRIC



PHYSICAL CHARACTERISTICS

Installation	Wall Mounted
Height	80mm
Length	238mm
Width	77mm
IP - Rating	IP 54
Material Standard	Die Cast Aluminum
Custom Finish	Electrostatic Painted
Color	Available

ELECTRICAL / PHOTOMETRIC DATA

Light Source	Led Chip
Chip Brand	EVER LIGHT
Color Rendering Index	> 80
Color Temp.	3000K
Diffuser	Glass
Power Factor	> 0.9
Beam Angle	110

SPECIFICATIONS

Code	Power	Total Luminous Flux	System Efficacy
6011	2*4 W	2*300 LM	75 LM/W

MISCELLANEOUS SPECIFICATIONS

Energy Class	Mains Voltage	Frequency	Safety Class	Operational Temp.	Rated Service Life (H)
A+	220 - 240 V AC	50 / 60 Hz	II	-25° C / + 50° C	30.000 Hrs