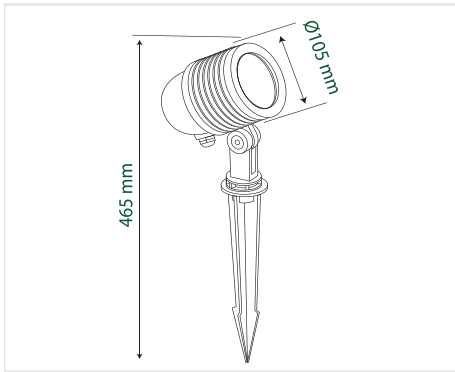


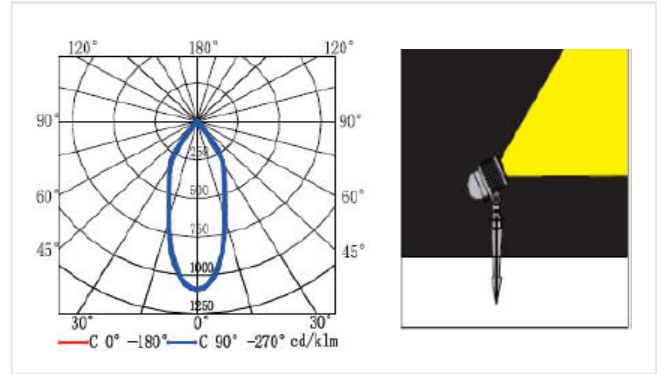
APPLICATION



DIMENSIONS



PHOTOMETRIC



PHYSICAL CHARACTERISTICS

Height	465mm
Diameter	105mm
Length	155mm
IP - Rating	IP 65
Material Standard	Die Cast Aluminum
Finish Custom	Electrostatic Painted
Color	Black

ELECTRICAL / PHOTOMETRIC DATA

Chip Brand	Cree - COB
Power	8 W
Color Rendering Index	Ra >80
Colour Temperature	3000K-4000K-6000K
Diffuser	Glass
Power Factor	> 0.95

SPECIFICATIONS

Code	Power	Total Luminous Flux	System Efficacy
5001-20-G2	8 W	760 Lm	95 Lm/w

MISCELLANEOUS SPECIFICATIONS

Energy Class	Mains Voltage	Frequency	Safety Class	Operational Temp.	Rated Service Life (H)
A+	220 - 240 V AC	50 / 60 Hz	II	-25° C / + 50° C	50.000 Hrs