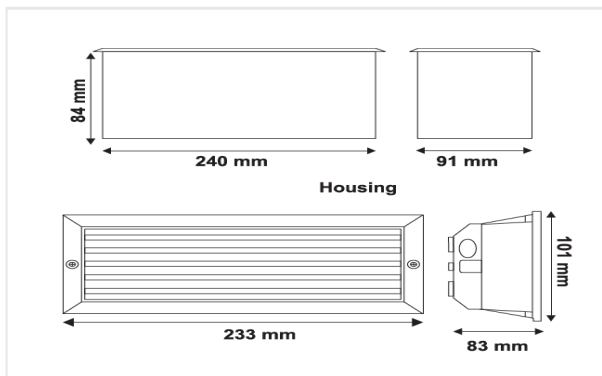


APPLICATION



DIMENSIONS



PHYSICAL CHARACTERISTICS

Installation	Stairs Mounted
Depth	84mm
Length	233mm
Width	101mm
IP - Rating	IP 54
Material Standard	Die Cast Aluminium
Finish Custom	Electrostatic Black
Color	Availible

ELECTRICAL / PHOTOMETRIC DATA

Light Source	LEDLamp & LED Strip
Color Rendering Index	Ra>80
Color Temp.	3000K - 6500K
Glare Control	UGR < 20
Diffuser	Glass/Opal Polycarbonate
Power Factor	>0.95

SPECIFICATIONS

Code	Power	Lamp Luminous Flux	Lamp Efficacy
STPD-3133/01	5 W	500 Lm	100 Lm/w
	9 W	900 Lm	
	12 W	1055 Lm	

Code	Power	Total Luminous Flux	System Efficacy
STPD-3133/02-6W-**	6 W	600 Lm	100 Lm/w
STPD-3133/02-12W-**	12 W	1200 Lm	

MISCELLANEOUS SPECIFICATIONS

Energy Class	Mains Voltage	Frequency	Safety Class	Operational Temp.	Rated Service Life (H)
A+	220 - 240 V AC	50 / 60 Hz	II	-10° C / + 45° C for Led Lamp -25° C / + 50° C for Led Chip	25.000 Hrs