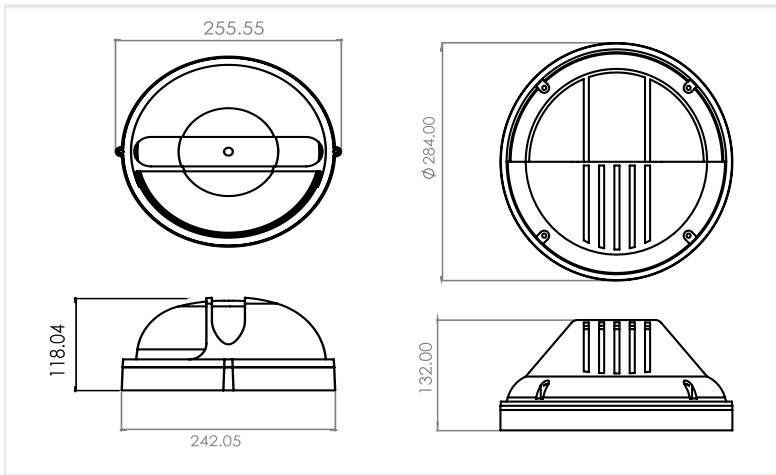


**APPLICATION**



**DIMENSIONS**



**PHYSICAL CHARACTERISTICS**

Installation	Mounted
Diameter	242 - 284 mm
Width	n/a mm
Height	118 - 132 mm
Material Standard	Die cast aluminum
IP - Rating	IP 54
Finish Custom	Electrostatic Painted
Color	Available

**ELECTRICAL / PHOTOMETRIC DATA**

Light Source	Led Lamp
Chromaticism Tolerance	6 - Step Mac Adams
Color Rendering Index	Ra >80
Color Temp.	3000K-4000K-6500K
Beam Angle	120°
Glare Control	UGR<20
Power Factor	>0.95
Diffuser	Tempered Glass
Reflector	Aluminum

**SPECIFICATIONS**

Code	Power	Lamp Luminous Flux	Lamp Efficacy
BLK3073	9W	900 lm	100 lm /w
BLK3273	12W	1055 lm	

**MISCELLANEOUS SPECIFICATIONS**

Energy Class	Mains Voltage	Frequency	Safety Class	Operational Temp.	Rated Service Life (H)
+A	220 - 240 V AC	50 / 60 Hz	II	-10° C / + 45° C	25.000 Hrs