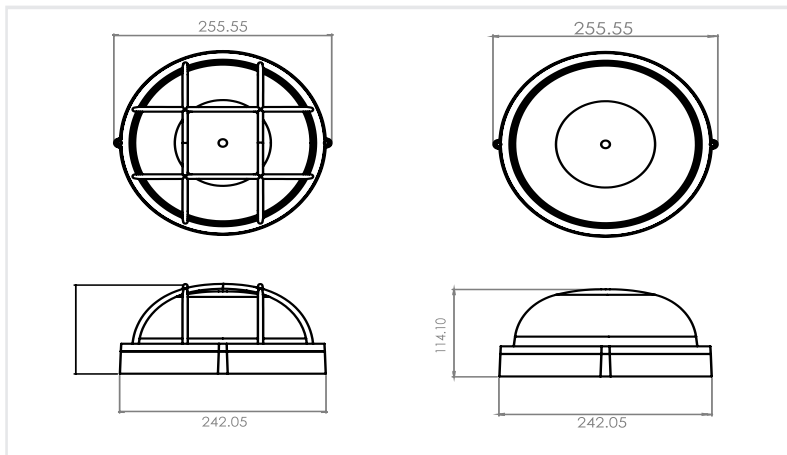


APPLICATION



DIMENSIONS



PHYSICAL CHARACTERISTICS

| | |
|-------------------|---------------------|
| Installation | Surface Mounted |
| Height | 115 mm |
| Diameter | 255 mm |
| IP - Rating | IP 65 |
| Material Standard | Die Cast Aluminium |
| Finish Custom | Electrostatic Black |
| Color | Available |

ELECTRICAL / PHOTOMETRIC DATA

| | |
|------------------------|-------------------|
| Light Source | Led Lamp |
| Chromaticism Tolerance | 6- Step Mac Adams |
| Color Rendering Index | Ra >80 |
| Color Temp. | 3000K-4000K-6500K |
| Beam Angle | 120° |
| Glare Control | UGR < 20 |
| Diffuser | Glass Diffuser |

SPECIFICATIONS

| Code | Power | Lamp Luminous Flux | Lamp Efficacy |
|----------|---------------|---------------------|---------------|
| BLK-3011 | 9 w - 2x9 w | 900 lm - 2x900 lm | 100 lm/w |
| | 12 w - 2x12 w | 1055 lm - 2x1055 lm | |
| | 15 w - 2x15 w | 1521 lm - 2x1521 lm | |
| BLK-3012 | 9 w - 2x9 w | 900 lm - 2x900 lm | 100 lm/w |
| | 12 w - 2x12 w | 1055 lm - 2x1055 lm | |
| | 15 w - 2x15 w | 1521 lm - 2x1521 lm | |

MISCELLANEOUS SPECIFICATIONS

| Energy Class | Mains Voltage | Frequency | Safety Class | Operational Temp. | Rated Service Life (H) |
|--------------|----------------|------------|--------------|-------------------|------------------------|
| A+ | 220 - 240 V AC | 50 / 60 Hz | II | -10° C / + 45° C | 25.000 Hrs |